

AT1-5

77 mm H x 35 mm W x 77 mm D

Refrigeration Controller for HT Applications



Main Features

- ▶ Selectable refrigerating or heating control
- ▶ Integrated defrost functions
- ▶ Runs on mains power supply
- ▶ Direct compressor control through high power 16(4) A or 16(8) A relay
- ▶ Selectable NTC10K or PTC probe input
- ▶ Auxiliary output configurable in four different operation modes
- ▶ Temperature, door open alarms
- ▶ Optional light control button
- ▶ Connectivity to LAE supervisory systems
- ▶ UL approved

Applications

Freestanding upright cabinets and counters, cold stores, plug-in display cases, control panels, heated cabinets.

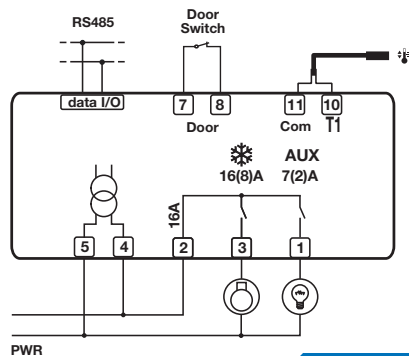
AT1-5 Series

Functions		AS5E-BGI	BS6U-BGI	BS6E-ALI
Inputs	Thermostat	✓	✓	✓
	Evaporator		✓	✓
	Door Switch		✓	✓
Outputs	Thermostat 16(4) A		✓	
	Thermostat 16(8) A	✓		✓
	Auxiliary 7(2) A		✓	✓
Power Supply	230 Vac			✓
	120 Vac	✓	✓	
Serial Port	TTL			✓
	RS-485		✓	
Keypad	Generic	✓	✓	
	With Light Button			✓

Notes

- A. Models with removable screw terminal blocks are available. In this case, the letter "S" of code changes in "Q", ex. AT1-5BQ2E-BG.
- B. of code changes in "Q", ex. AT1-5BQ2E-BG.
- C. All models come with an alarm buzzer.
- D. Versions with 110 V power supply are available.
- E. On request, the AT1-5 is also available with gasket for a better protection between bezel and metal panel.

For more available options, please contact Intermatic customer service: +1 815 675 7000



Technical Data

Control Range	-50÷120° C
Resolution	0.1 / 1 ° C; ° F
Accuracy	NTC10K: $\leq \pm 0.3^\circ\text{C}$ (-40.0÷70.0° C) PTC1000: $\leq \pm 0.5^\circ\text{C}$ (-50÷120° C)
Sensor Type	selectable NTC10K standard mod. SN4B20P1/P2 or PTC1000
Power Supply	230 V~, ±10%, 50÷60 Hz, 3 W
Front Protection	IP55
Panel Cut-Out H x W	29 mm x 71 mm
Ambient Temperature	-10÷50° C

Standard Models

Standard Models	Description	Sensor Inputs	Digital Inputs	Terminal Connection	Outputs	Power Supply	Communications	Overlay
AT1-5AS5E-GI	REF Controller, 1 NTC/PTC, 1 rly, 230 Vac, screw connectors	1	0	Screw	Compressor 16(8)A	230 Vac	None	Standard
AT1-5AS2E-BGI	REF Controller, 1 NTC/PTC, 1 BI, 2 rly, 230 Vac, screw connectors, RS485	1	0	Screw	Compressor 16(4)A AUX 7(2)A	230 Vac	RS485	Standard
AT1-5AS5U-BGI	REF Controller, 1 NTC/PTC, 1 rly, 115 Vac, screw connectors, RS485	1	0	Screw	Compressor 16(8)A	115 Vac	RS485	Standard
AT1-5BS6E-ALI	REF Controller, 2 NTC/PTC, 1 BI, 2 rly, 230 Vac, screw connectors, lights, TTL	2	1	Screw	Compressor 16(8)A AUX 7(2)A	230 Vac	TTL	Lighted
AT1-5BS6E-BGI	REF Controller, 2 NTC/PTC, 1 BI, 2 rly, 230 Vac, screw connectors, RS485	2	1	Screw	Compressor 16(8)A AUX 7(2)A	230 Vac	RS485	Standard
AT1-5BS6U-BGI	REF Controller, 2 NTC/PTC, 1 BI, 2 rly, 115 Vac, screw connectors, RS485	2	1	Screw	Compressor 16(8)A AUX 7(2)A	115 Vac	RS485	Standard



Unique Applications

In addition to our standard models, LAE by Intermatic offers a wide range of configuration options that allow customers to customize controls to fit their unique needs and applications. The table below highlights all of the available customization options.

Product Matrix

Model Prefix	Code Letter / Number	Description	AT1-5	A	S	1	E	-A	G
Inputs	A	Thermostat Probe							
	B	Thermostat Evaporator Probe Door Switch Input							
	Connectors	Q	Quick Connect Terminals						
		S	Screw Terminals						
Outputs	1	Thermostat Relay (16(4)A)							
	2	Thermostat Relay (16(4)A) AUX Relay (7(2)A)							
	3	Thermostat Relay (16(5)A)							
	4	Thermostat Relay (16(5)A) AUX Relay (7(2)A)							
	5	Thermostat Relay (16(8)A)							
	6	Thermostat Relay (16(8)A) AUX Relay (7(2)A)							
Power Supply	D	12 Vac/dc							
	E	230 Vac							
	L	24 Vdc							
	U	110 Vac							
Communications	-	None							
	-A	TTL Serial Port							
	-B	RS485 Serial Port							
Overlay Artwork	G	Standard Version							
	L	With Lights Button							

* Note: Not all configurations are available for each model.